

**INSTALLATION INSTRUCTION
FOR
140 SERIES JOINT COVERS**

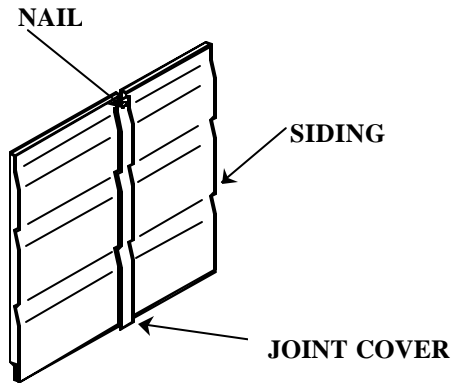


Figure 1

1. Minimum one nail within 1/2" of the top of the joint cover, centered between the siding courses so as not to penetrate either siding. See Figure 1.

2. This nail is usually placed so as to be covered by the course above. Nail should have minimum 1/8" head, and be of sufficient length to penetrate the stud by at least 1/2". See Figure 2.

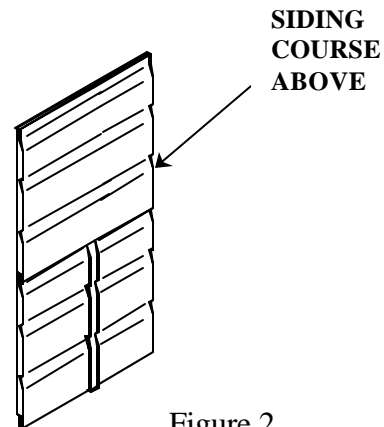


Figure 2

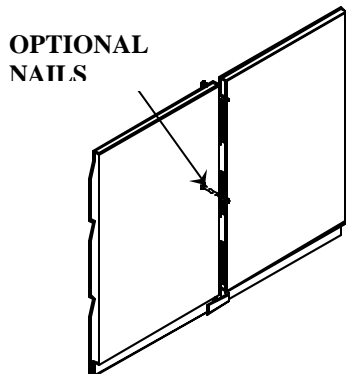


Figure 3

3. Optionally, additional nails may be added in the mid to lower portion of the cover. Nail size and placement should be as per above. See Figure 3.

IMPORTANT: It is important to place the nails such that they penetrate the center line of the joint cover, between courses of siding below. Do not nail into the siding being joined. The joint cover must float relative to both courses of siding being joined. Failure to follow this instruction may result in early failure of the installation.